

MAXUM

Next Generation DC Commercial Door Operator

JHDC Hoist Operator

SECTION 08 71 13

DATA SHEET



Key Features

Standard Application

Recommended for door types including:

- Sectional Doors (Standard Lift, High Lift and Full Vertical)
- Rolling steel doors/grilles

Standard duty cycle and Extended duty cycle applications where a manual hoist is required

Rated Duty Cycle

Standard Duty: Up to 20 cycles per hour and 90 cycles per day

Extended Duty: Up to 30 cycles per hour and 150 cycles per day

Operator Speed

Average 12" per second for Sectional doors and 8-9" per second on Rolling Steel doors

Limit Settings

Electronic limits via Floor Level Wall Controller with LCD display

Emergency Disconnect for Manual Operation

Operator includes an Engage rope (Green) and a Disengage rope (red) with manual hoist to electrically disable the operator controls

Emergency Disconnect with Auto - Reconnect

Operator includes an Engage rope (Green) and a Disengage rope (red) with manual hoist to electrically disable the operator controls. Pull the engage (green) rope to operate the door again electrically

Programming

Floor Level Wall Controller with LCD display to program and commission door

Circuit Board

DC Logic Circuit Board

Timer-to-Close

Program through menu on wall controller. Option is available in B2 Mode with two settings. User can select a desired Timer-to-Close (TTC) time duration under that menu

Mid-Stop

Program setup under System Configuration Operating Mode, Mid-stop

Battery Backup

DC7AH (2): 7 Ah batteries and mounting bracket (optional)

Run Time Protection

Standard: 20 Cycle Count and Cycle 21% within a 60 minute threshold

Extended Duty: 30 Cycle Count and Cycle 37% within a 60 minute threshold

Motor Reverse Action Protection

Stop Fast: 250ms ramp

Stop Ramp: 500ms-2000ms; Stop button while opening

Emergency (Safety-Chain): CTM trigger immediate stop

Motor Operator Wall Controller

Floor Level Wall Controller with LCD screen using 2 wire interface to connect to powerhead

LiftMaster

MAXUM

Next Generation DC Commercial Door Operator

JHDC Hoist Operator

SECTION 08 71 13

DATA SHEET

Specifications:

Radio Receiver

LiftMaster Security+ 2.0

Voltage Connections

120Vac 1 PH/240Vac 1/3PH; 480Vac 3PH; 208Vac 3PH (via transformer);
600Vac 3PH (via transformer)

Accessory Power

24Vdc, 1A Auxiliary Output

Drive Reduction

65:1 Gearbox with #50 Chain Output

Brake

Dynamic braking standard on all Maxum operators.

2200 series operators include electromechanical holding brake

Construction

NEMA 1 type electrical box, heavy duty 11 gauge steel frame with durable
powder coat finish. NEMA 4X type electrical box for NEMA 4X rated units

Warranty

2 years

Installation Features:

Maximum Door Weight

See SKU listing below for maximum door weights allowable by SKU

Connectivity:

Wi-Fi®

Connect to Wi-Fi via Connectivity option on the wall controller

Internet Connectivity

myQ® technology enables remote monitoring and control via smartphone,
tablet, computer. myQ Facility technology enables Diagnostics, absolute
cycle count, service cycle count, and remote management

Door Weight Chart

SKU	PRODUCT FAMILY	MAX DOOR WEIGHT
JHDC7S1BMC	Hoist	700 lb.
JHDC7S4BMC	Hoist	700 lb.
JHDC12S1BMC	Hoist	1200 lb.
JHDC12S4BMC	Hoist	1200 lb.
JHDC12X1BMC	Hoist	1200 lb.
JHDC12X4BMC	Hoist	1200 lb.
JHDC22X1BMC	Hoist	2200 lb.
JHDC22X4BMC	Hoist	2200 lb.
JHDC12X1N4XMC	Hoist	1200 lb.
JHDC12X4N4XMC	Hoist	1200 lb.
JHDC22X1N4XMC	Hoist	2200 lb.
JHDC22X4N4XMC	Hoist	2200 lb.

LiftMaster®

MAXUM

Next Generation DC Commercial Door Operator

DATA SHEET

JHDC Hoist Operator

SECTION 08 71 13

Sectional Doors

Recommended Door Sprockets

Drum Diameter (Large end of Conical Drum)	Door Sprocket for Desired Speed					
	For 12 inch/sec Door Speed			For 9 inch/sec Door Speed		
	Tooth Count	1 in. Bore 1/4 in. Keyway	1.25 in. Bore 1/4 in. Keyway	Tooth Count	1 in. Bore 1/4 in. Keyway	1.25 in. Bore 1/4 in. Keyway
4"	16-Tooth	71-1550B16LGH	71-1550B16QGH	22-Tooth	71-1550B22LGH	71-1550B22QGH
5.25"	22-Tooth	71-1550B22LGH	71-1550B22QGH	32-Tooth	71-1550B32LGH	71-1550B32QGH
5.75"	24-Tooth	71-1550B24LGH	71-1550B24QGH	34-Tooth	71-1550B34LGH	71-1550B34QGH
6.375"	32-Tooth	71-1550B32LGH	71-1550B32QGH	42-Tooth	71-1550B42LGH	71-1550B42QGH
8"						
8.5"	24-Tooth	71-1550B24LGH	71-1550B24QGH	34-Tooth	71-1550B34LGH	71-1550B34QGH
11"	32-Tooth	71-1550B32LGH	71-1550B32QGH	42-Tooth	71-1550B42LGH	71-1550B42QGH
13.5"	42-Tooth	71-1550B42LGH	71-1550B42QGH	56-Tooth	71-1550B56LGH	71-1550B56QGH
Not Sure*	22-Tooth	71-1550B22LGH	71-1550B22QGH			
	32-Tooth	71-1550B32LGH	71-1550B32QGH	32-Tooth	71-1550B32LGH	71-1550B32QGH
				42-Tooth	71-1550B42LGH	71-1550B42QGH

* 700 & 1200 series operators use 22 & 32 tooth; 2200 series operators use 32 & 42 tooth

Rolling Doors, Uninsulated

Recommended Door Sprockets

Max 20ft Door Height - 8-9 inches/sec Door Speed						
Operator Series	Door Weight	Tooth Count	1 in. Bore 1/4 in. Keyway	1.25 in. Bore 1/4 in. Keyway	1 in. Bore 3/8 in. Keyway	1.25 in. Bore 3/8 in. Keyway
700	up to 450 lbs	50-Tooth	71-1550B50LGH	71-1550B50QGH	71-1550B50LKH	71-1550B50QKH
	450 to 700 lbs					
1200	700 to 1200 lbs	72-Tooth	71-1550B72LGH	71-1550B72QGH	71-1550B72LKH	71-1550B72QKH
2200	1200 to 1800 lbs					
		1800 to 2200 lbs	82-Tooth	71-1550B82LGH	71-1550B82QGH	71-1550B82LKH

Rolling Doors, Insulated

Recommended Door Sprockets

Max 20ft Door Height - 8-9 inches/sec Door Speed						
Operator Series	Door Weight	Tooth Count	1 in. Bore 1/4 in. Keyway	1.25 in. Bore 1/4 in. Keyway	1 in. Bore 3/8 in. Keyway	1.25 in. Bore 3/8 in. Keyway
700	up to 450 lbs	60-Tooth	71-1550B60LGH	71-1550B60QGH	71-1550B60LKH	71-1550B60QKH
1200	450 to 900 lbs	72-Tooth	71-1550B72LGH	71-1550B72QGH	71-1550B72LKH	71-1550B72QKH
2200	900 to 2000 lbs	82-Tooth	71-1550B82LGH	71-1550B82QGH	71-1550B82LKH	71-1550B82QKH

MAXUM

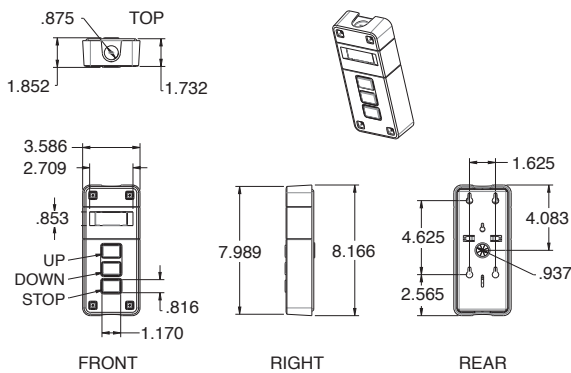
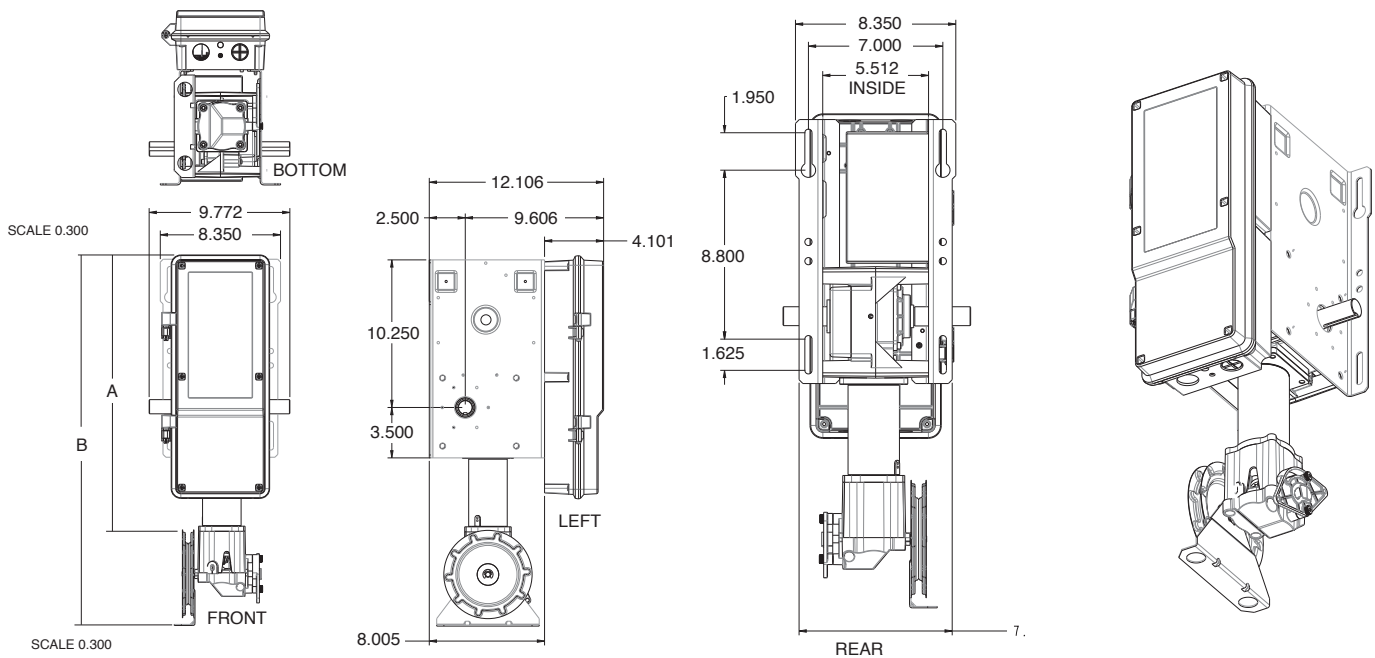
Next Generation DC Commercial Door Operator

JHDC Hoist Operator

SECTION 08 71 13

DATA SHEET

Dimensions	A	B
700 lb. Standard	19.2"	25.7"
1200 lb. Standard	19.5"	26.0"
2200 lb. Extended	26.6"	33.1"



© 2024 Chamberlain Group, LLC. All Rights Reserved.
LiftMaster, the LiftMaster logo, myQ® and the myQ logo are registered trademarks of Chamberlain Group, LLC.
Wi-Fi® is a registered trademark of Wi-Fi Alliance
300 Windsor Drive, Oak Brook, IL 60523
LiftMaster.com
LMCDENDSJHDC 3/24

LiftMaster